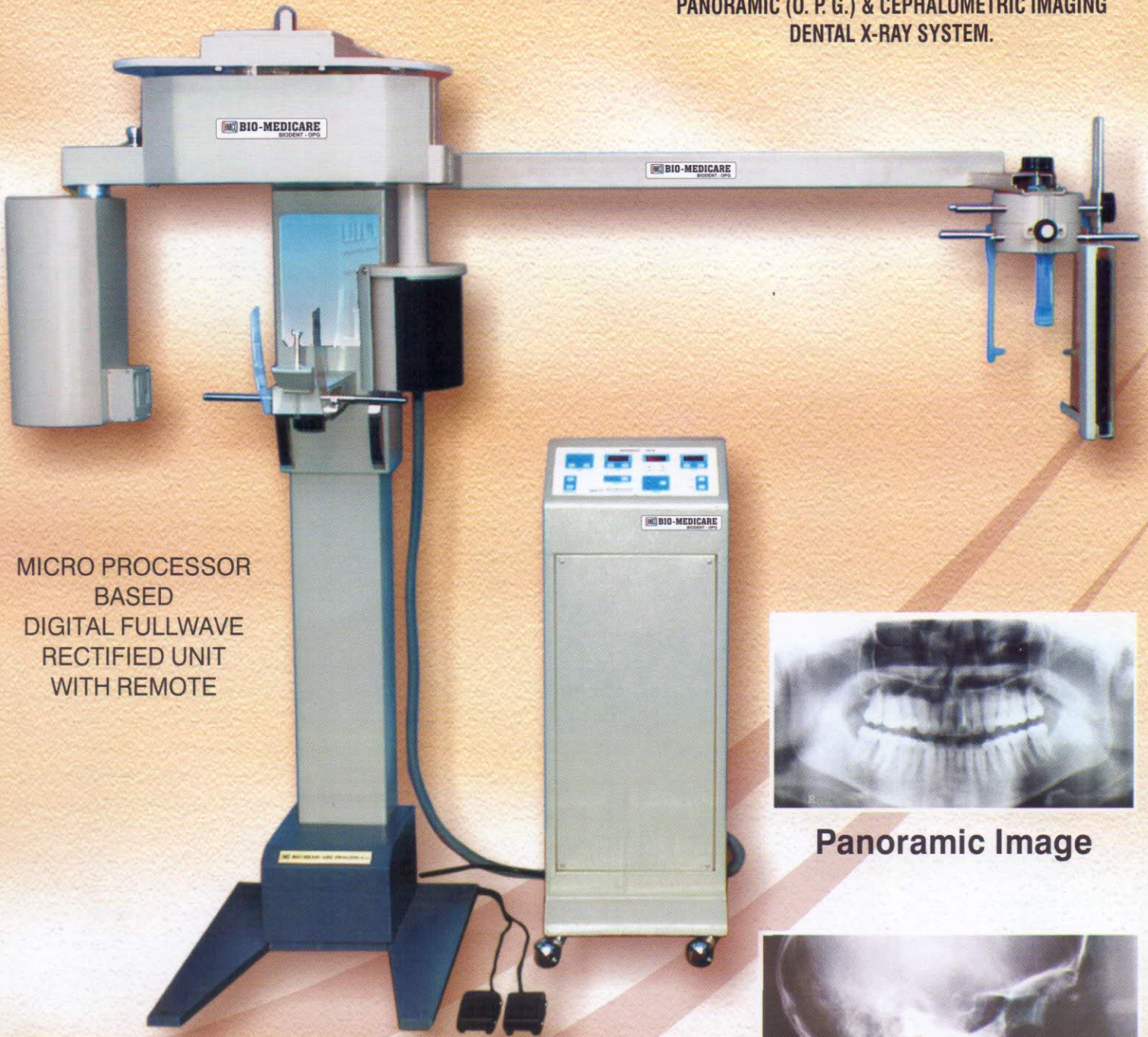


PANORAMIC (O. P. G.) & CEPHALOMETRIC IMAGING  
DENTAL X-RAY SYSTEM.



MICRO PROCESSOR  
BASED  
DIGITAL FULLWAVE  
RECTIFIED UNIT  
WITH REMOTE



**Panoramic Image**



**Cephalometric Image**



**Microprocessor  
Digital Panel**

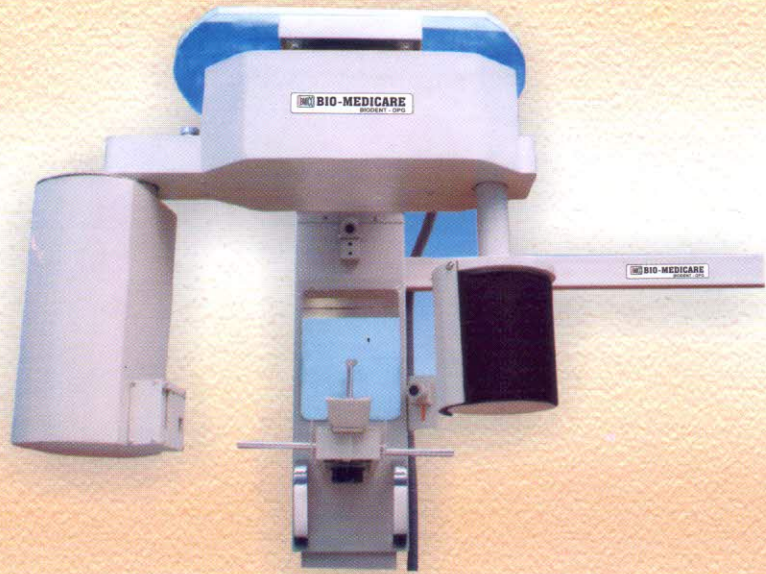
*One More Feather in* **BIO-MEDICARE** *Range*

**BIO-MEDICARE :- (Biodent O.P.G.) Unit For Panoramic, and Cephalometric, Radiography.**

**Bio-Medicare** Leads the Indian Dental X-Ray Technology & Digital Imaging, It is the only equipment to Provides as standard all Panoramic Images as well as Tomographic Images a Function which is Increasingly Demand in modern Dentistry.

**Features :-**

- Microprocessor controlled system
- Digital control panel with display of kVp, mAs & MODE SELECTION
- Finger touch push button panel for easy operation.
- Motorised column carriage operated by foot switch for easy adjustment as per patient height.
- Choice of wide range of kVp to suit children & adults.
- Visible and Audiable X-Ray Indication as well as error indication.
- Cervical Vertebrae shadow reduction technique.
- Easy Change over from OPG to CEPHALOMETRIC MODE.
- Facility of test run without radiation.
- Single Button Reverse Travel.
- Space saving stand alone design.
- Easy and quick Installation.

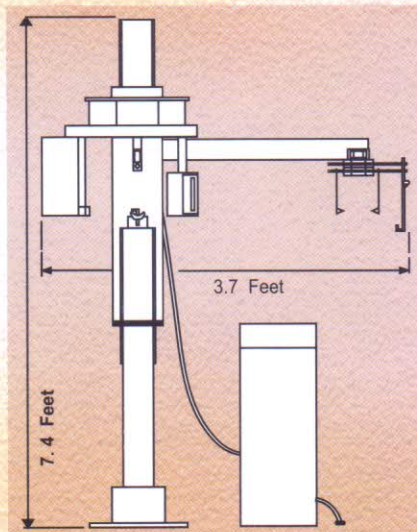


**CEPHALOMETRIC Radiology** Provides a complete view of the dento-maxillo-facial region. The functionally designed and easy to use head position ensures accurate patient positioning in lateral a.p. and p.a. technique. The Cephalometric system can be easily added to your **BIO-DENT OPG** whenever the need

**Orthopantomography (OPG)** is an extremely important part of the dental radiology. It offers lower radiation dosage than full jaw intra-oral surveys and makes possible an overall review of the teeth and facial bones. It also allows a quick assessment of the presence and position of unerupted teeth, in orthodontic treatment. The procedure of full jaw X-Ray demonstrates undiagnosed cysts, tumours or buried teeth and root. Hence OPG systems find extensive use in diagnostic radiology, general dental practice, orthodontic treatment and X-Ray departments, etc.

**TECHNICAL SPECIFICATION**

- Generator : Full Wave Rectified Generator with microprocessor based Technology.
- Max. Tube Potential : 90 kVp in stepless fraction.
- TubeCurrent : 10 MA
- Focus : 0.5 x 0.5 mm<sup>2</sup>
- Exposure Time (P) : 15 sec's
- Exposure Time (C) : 0.4 - 15 sec (4 - 150 mAs)
- Magnification (P) : 1.2-1.3 times
- Magnification (C) : 1.1 Time
- Cassate (P) : Flexible 6" x 12"
- (C) : Hard 8" x 10" or 10" x 12"
- Line Voltage : 230 Volts Ac 10 %
- Current : 15 Amp
- Weight : 250 kg.



Minimum Space Requirements			
	H	W	D
Biodent with Ceph.	7.4 Feet	6.7 Feet	5 Feet
Biodent without Ceph.	7.4 Feet	4 Feet	5 Feet

NOTE: DUE TO OUR CONTINUOUS PRODUCT IMPROVEMENT PROGRAM, SPECIFICATIONS ARE SUBJECT TO CHANGE WITHOUT PRIOR NOTICE All above equipments are type approved by ATOMIC ENERGY REGULATORY BOARD as per testing done by B.A..R.C. And B.I.S (ISI) Specifications.

MANUFACTURED BY:

**BIO MEDICARE IMAGING CO.**

F-18 &19, UDYOG VIHAR, INDUSTRIAL ESTATE, VITHALWADI (WEST) - DIST. THANE. PIN - 421 003. (MUMBAI) - TEL. 0251(95251)-2543332. TELE FAX. 0251(95251)-2543344.

MARKETED BY: